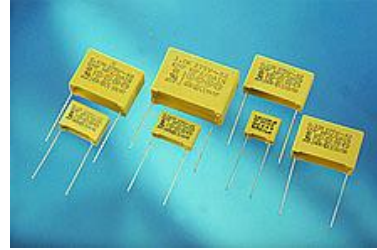


Metalized Polypropylene Film Capacitor, Class X₂

AN 021-- X₂-MPX



non-inductively wound

with metallized polypropylene film as the dielectric/electrode

with copper-clad steel leads and encapsulated in a plastic case sealed with epoxy resin.

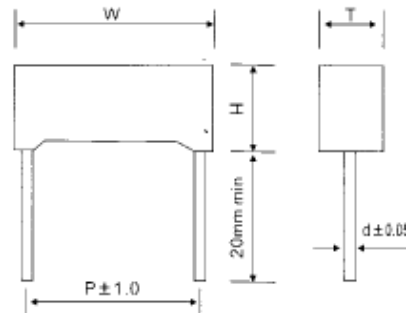
Features:

- | Box type provides the identical outer appearance
- | Very low loss at high frequency, suitable for high current
- | High insulation resistance, long life due to self-healing effect
- | Withstanding 2.5kv impulse voltage, Class X2
- | As an across-the-line type noise suppression capacitor, and suitable for AC purpose.



Specifications:

Reference Standard	GB/T14472-1998(IEC 60384-14)	
Climatic Category	40/100/21	
Rated Voltage	280 VAC	
Capacitance Range	0.00224.7 μF	
Capacitance Tolerance	± 5% (J), ± 10% (K), ± 20% (M)	
Voltage proof	4.3UR(5s)	
Dissipation Factor	$\leq 0.15\%$ CR $\leq 1.0 \mu\text{F}$ $\leq 0.30\%$ CR $> 1.0 \mu\text{F}$ (20°C, 10KHz)	
Insulation Resistance	$\geq 30000\text{M}\Omega$ (CR $\leq 0.33 \mu\text{F}$) $\geq 10000\text{s}$ (CR $> 0.33 \mu\text{F}$)	(20°C, 1min)



Ancol

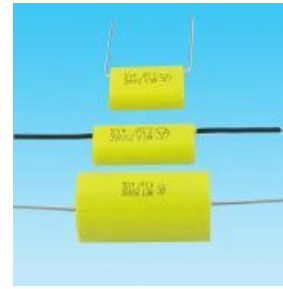
X₂-MPX -----Dimensions:

SIZE μF	W(mm)	T(mm)	H(mm)	P(mm)	d (Φmm)	SIZE μF	W(mm)	T(mm)	H(mm)	P(mm)	d (Φmm)
0.0022	13.0	4.0	9.0	10.0	0.6	0.18	26.	6.0	15.0	22.5	0.8
0.0027	13.0	4.0	9.0	10.0	0.6	0.22	18.0	8.5	14.5	15.0	0.8
0.0033	13.0	4.0	9.0	10.0	0.6	0.22	26.5	7.0	16.5	22.5	0.8
0.0039	13.0	4.0	9.0	10.0	0.6	0.27	26.5	8.5	16.5	22.5	0.8
0.0047	13.0	4.0	9.0	10.0	0.6	0.33	18.0	8.5	14.5	15.0	0.8
0.0056	13.0	5.0	11.0	10.0	0.6	0.33	26.5	7.0	16.5	22.5	0.8
0.0068	13.0	5.0	11.0	10.0	0.6	0.39	18.0	9.5	15.5	15.0	0.8
0.0082	13.0	5.0	11.0	10.0	0.6	0.39	26.5	10.0	20.0	22.5	0.8
0.01	13.0	5.0	11.0	10.0	0.6	0.47	18.0	10.0	16.0	15.0	0.8
0.012	13.0	5.0	11.0	10.0	0.6	0.47	26.5	10.0	20.0	22.5	0.8
0.015	13.0	5.0	1.0	10.0	0.6	0.56	26.5	11.0	20.0	22.5	0.8
0.018	13.0	5.0	1.0	10.0	0.6	0.56	32.0	11.0	20.0	27.5	0.8
0.022	13.0	5.0	1.0	10.0	0.6	0.68	26.	11.0	20.0	22.5	0.8
0.027	13.0	5.0	1.0	10.0	0.6	0.68	32.0	11.0	20.0	27.5	0.8
0.033	13.0	5.0	1.0	10.0	0.6	0.82	26.	12.0	21.5	22.5	0.8
0.039	13.0	6.0	2.0	10.0	0.6	0.82	32.0	13.0	22.0	27.5	0.8
0.047	13.0	6.0	2.0	10.0	0.6	1.0	32.0	13.0	22.0	27.5	0.8
0.047	18.0	5.0	1.0	15.0	0.8	1.0	37.0	13.5	25.0	31.5	0.8
0.056	13.0	6.0	2.0	10.	0.6	1.5	32.0	13.0	22.0	27.5	0.8
0.056	18.0	5.0	1.0	15.0	0.8	1.5	37.0	17.0	26.5	31.5	0.8
0.068	13.0	6.0	2.0	10.	0.6	1.8	37.0	19.0	29.0	31.5	0.8
0.068	18.0	5.0	1.0	15.0	0.8	2.0	31.0	22.0	31.0	27.5	0.8
0.082	13.0	6.0	12.0	10.0	0.6	2.0	38.0	18.0	28.0	31.5	0.8
0.082	18.0	5.2	1.5	15.0	0.8	2.3	31.0	22.0	31.0	27.5	0.8
0.1	13.0	6.0	12.0	10.0	0.6	2.2	38.0	19.0	29.0	31.5	0.8
0.1	18.0	6.0	12.0	15.0	0.8	2.5	38.0	20.0	30.0	31.5	0.8
0.12	18.0	6.3	13.0	15.0	0.8	3.0	38.0	20.0	30.0	31.5	0.8
0.15	18.0	7.5	13.0	15.0	0.8	3.3	38.0	21.7	31.3	31.5	0.8
0.15	26.5	6.0	15.0	22.5	0.8	4.0	48.0	30.0	30.0	41.5	0.8
0.18	18.0	8.5	14.5	15.0	0.8	4.7	48.0	30.0	30.0	41.5	0.8

Note: or produced and tested by client's requirement

Metalized Polypropylene Film Capacitor- Axial CBB20 [MPT/MPA]

AN022—axial MPT

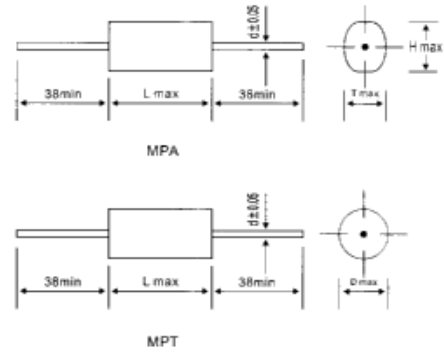


Features:

- l Non-inductive construction, Down-leads axially and horizontally
- l Very low loss at high frequency, suitable for high current
- l High insulation resistance, long life due to self-healing effect
- l Widely used in high frequency, DC, AC and pulse circuits

Specifications:

Reference Standard	GB 10190-88(IEC 60384-16)	
Climatic Category	40/85/21	
Rated Voltage	160/250V. 400V. 1000V. 1200V	
Capacitance Range	0.010~30 μ F	
Capacitance Tolerance	\pm 5% (J), \pm 10% (K), \pm 20% (M)	
Voltage proof	1.6UR(5s)	
Dissipation Factor	\leq 0.1%(20 $^{\circ}$ C, 1KHz)	
Insulation Resistance	\geq 25000M Ω (CR \leq 0.33 μ F)	(20 $^{\circ}$ C, 1min)
	\geq 7500s (CR >0.33 μ F)	



Dimensions:

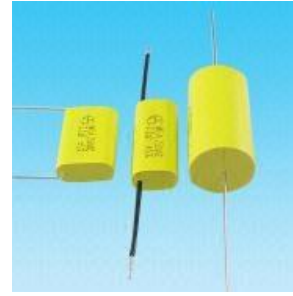
CAP	100—250VDC		
	μ F	L(mm)	T(mm)
1.0	25.5	8.5	14.8
1.2	25.5	9.5	14.6
1.5	25.5	10.1	17.6
2.0	33.5	10.3	17.8
2.2	30.5	10.6	18.2
3.3	35.5	11.8	19.3
4.7	35.5	14.6	22.1
5.6	35.5	16.2	23.6
6.8	35.5	18.1	25.6
8.2	35.5	20.1	27.6
10.0	50.5	17.9	27.1
12.0	50.5	19.9	29.1
15.0	50.5	22.9	31.9
18.0	50.5	25.4	34.3
20.0	55.5	30.8	39.9
30.0	55.5	38.6	47.6

CAP	100~250VDC	
	μ F	L(mm)
1.0	25.5	9.8
1.2	25.5	10.5
1.5	25.5	11.5
1.8	25.5	12.5
2.0	30.5	14.5
2.2	30.5	15.0
3.3	30.5	18.0
4.7	35.5	19.5
5.6	35.5	21.0
6.8	35.5	23.0
8.2	35.5	25.0
10.0	45.5	23.8

Note: or produced and tested by client's requirement

Metallized Polypropylene Film Capacitor-Axial CL20 [MET/MEA]

AN 023- axial MET

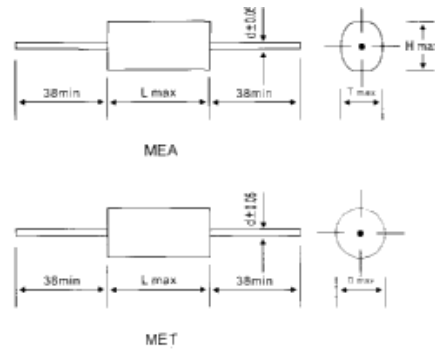


Features:

- I Non-inductive construction, Down-leads axially and horizontally
- I Wide capacitance range, small size
- I Long life due to self-healing effect
- I Suitable for blocking, by-pass and coupling of DC and signals to VHF range
- I Widely used in filter, noise suppression and low pulse circuits

Specifications:

Reference Standard	GB 7334-87	
Climatic Category	40/85/21	
Rated Voltage	100/160V. 250V. 400V. 630V. 1000V. 1200V	
Capacitance Range	0.010~30 μ F	
Capacitance Tolerance	\pm 5% (J), \pm 10% (K), \pm 20% (M)	
Voltage proof	1.6UR(5s)	
Dissipation Factor	\leq 1.0% (20°C, 1KHz)	
Insulation Resistance	\geq 7500M Ω (CR \leq 0.33 μ F)	(20°C, 1min)
	\geq 2500s (CR > 0.33 μ F)	



Dimensions:

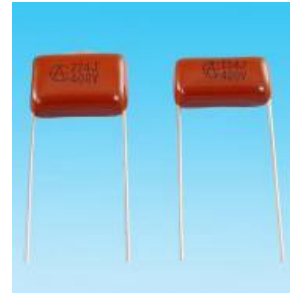
CAP μ F	100~250VDC			CAP μ F	100~250VDC		
	L(mm)	T(mm)	H(mm)		L(mm)	T(mm)	H(mm)
1.0	25.5	6.7	11.5	8.2	35.5	10.6	18.7
1.2	25.5	7.3	12.2	10.0	35.5	13.3	21.4
1.5	25.5	7.5	14.0	12.0	35.5	14.1	24.8
2.0	30.5	7.5	13.8	15.0	45.5	13.0	21.0
2.2	30.5	7.8	14.3	18.0	45.5	14.0	22.0
3.3	35.5	8.2	16.2	20.0	45.5	15.0	24.6
4.0	35.5	9.3	17.2	22.0	45.5	15.2	24.8
4.7	35.5	10.2	18.2	25.0	45.5	16.5	26.0
5.6	35.5	8.4	16.4				
6.8	35.5	9.5	17.5				

CAP F	100~250VDC		CAP F	100~250VDC	
	L(mm)	D(mm)		L(mm)	D(mm)
1.0	20.5	11.0	5.6	35.5	15.7
1.2	20.5	11.9	6.8	35.5	17.2
1.5	25.5	11.3	8.2	35.5	18.7
1.8	25.5	12.3	10.0	35.5	20.6
2.0	25.5	12.8	12.0	45.5	19.9
2.2	25.5	13.4	15.0	45.5	22.1
3.3	30.5	14.0	18.0	45.5	24.1
3.9	30.5	15.1	20.0	45.5	25.4
4.7	35.5	14.5			

Note: or produced and tested by client's requirement

Metalized Polyester Film Capacitor CL21 [MEF]

AN 024--MEF

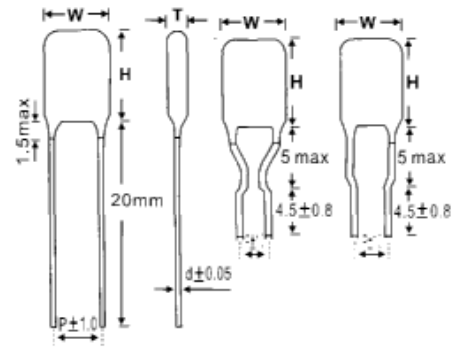


Features:

- | non-inductively wound
- | with metallized polyester film as dielectric/electrode
- | with copper-clad steel leads and epoxy resin coating.
- | Wide capacitance range, small size
- | Long life due to self-healing effect
- | Suitable for blocking, by-pass and coupling of DC and single to VHF range
- | Widely used in filter, noise suppression and low pulse circuits

Specifications:

Reference Standard	GB 7335-87	
Climatic Category	40/85/21	
Rated Voltage	100/160V. 250V. 400V. 630V	
Capacitance Range	0.0047~10.0 μ F	
Capacitance Tolerance	\pm 5% (J), \pm 10% (K), \pm 20% (M)	
Voltage proof	1.6UR(5s)	
Dissipation Factor	\leq 1.0% (20 $^{\circ}$ C, 1KHz)	
Insulation Resistance	\geq 7500M Ω (CR \leq 0.33 μ F)	(20 $^{\circ}$ C, 1min)
	\geq 2500s (CR > 0.33 μ F)	



Ancol

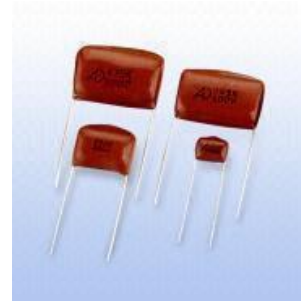
Dimensions:- CL21 [MEF]

CAP μF	250VDC				400VDC				630VDC			
	W(mm)	T(mm)	H(mm)	P(mm)	W(mm)	T(mm)	H(mm)	P(mm)	W(mm)	T(mm)	H(mm)	P(mm)
0.01	12.0	4.0	8.5	10.0	12.0	4.0	8.5	10.0	12.0	4.0	8.5	10.0
0.018	12.0	4.3	9.5	10.0	12.0	4.3	9.5	10.0	12.0	4.3	9.5	10.0
0.022	12.0	4.0	8.5	10.0	12.0	4.0	8.5	10.0	12.0	4.0	8.5	10.0
0.033	12.0	4.3	9.5	10.0	12.0	4.3	9.5	10.0	12.0	4.5	9.8	10.0
0.047	12.0	4.0	9.5	10.0	12.0	4.0	9.5	10.0	12.0	5.3	10.8	10.0
0.056	12.0	4.5	10.0	10.0	12.0	4.5	10.0	10.0	12.0	6.2	11.0	10.0
0.068	12.0	4.8	10.2	10.0	12.0	4.8	10.2	10.0	17.0	5.0	10.0	15.0
0.082	12.0	4.2	9.5	10.0	12.0	5.3	10.2	10.0	17.0	5.4	10.3	15.0
0.1	12.0	4.5	10.0	10.0	12.0	6.0	11.0	10.0	17.0	5.3	12.0	15.0
0.15	12.0	5.5	10.5	10.0	17.0	5.2	10.5	15.0	17.0	6.4	13.0	15.0
0.22	12.0	6.5	11.5	10.0	17.0	5.5	12.3	15.0	22.5	6.4	13.0	20.0
0.27	12.0	7.0	12.0	10.0	17.0	6.3	13.0	15.0	22.5	7.0	13.8	20.0
0.33	17.0	5.7	11.0	15.0	17.0	7.0	13.5	15.0	22.5	7.6	14.5	20.0
0.39	17.0	5.6	12.5	15.0	22.5	6.3	13.0	20.0	22.5	8.3	15.6	20.0
0.47	17.0	6.0	12.8	15.0	22.5	5.0	13.8	20.0	22.5	9.2	16.2	20.0
0.56	17.0	6.8	13.5	15.0	22.5	7.5	14.3	20.0	22.5	9.3	18.0	20.0
0.68	17.0	7.2	14.0	15.0	22.5	8.0	14.8	20.0	28.5	8.8	17.3	26.0
0.82	22.5	6.5	13.0	20.0	22.5	9.2	16.0	0.0	28.5	9.6	18.3	26.0
1.0	22.5	7.3	14.0	20.0	22.5	9.2	17.5	20.0	28.5	10.8	19.4	26.0
1.2	22.5	8.0	15.0	20.0	22.5	10.5	18.8	20.0	28.5	12.0	20.5	26.0
1.5	22.5	8.3	16.5	20.0	22.5	12.0	20.2	20.0	33.5	12.0	20.5	31.0
1.8	22.5	9.2	17.5	20.0	28.5	11.0	19.3	26.0	33.5	12.5	22.0	31.0
2.0	22.5	9.8	18.0	20.0	28.5	11.5	19.8	26.0	33.5	13.2	22.6	31.0
2.2	22.5	10.2	18.5	20.0	28.5	12.2	20.5	26.0	33.5	13.8	23.5	31.0
2.5	28.5	10.0	17.0	26.0	28.5	13.0	21.5	26.0	33.5	15.2	25.0	31.0
2.7	28.5	9.7	18.3	26.0	28.5	13.0	23.0	26.0				
3.3	33.5	9.8	18.3	31.0	33.5	13.5	22.0	31.0				
4.7	33.5	12.3	20.5	31.0	33.5	15.6	25.7	31.0				
5.6	33.5	12.8	22.5	31.0	33.5	17.3	27.2	31.0				
6.8	33.5	14.2	24.0	31.0								
8.2	33.5	12.0	22.0	31.0								
10.0	33.5	13.3	23.0	31.0								

Note: or produced and tested by client's requirement

Metalized Polypropylene Film Capacitor CBB21 [MPP]

AN 025--MPP

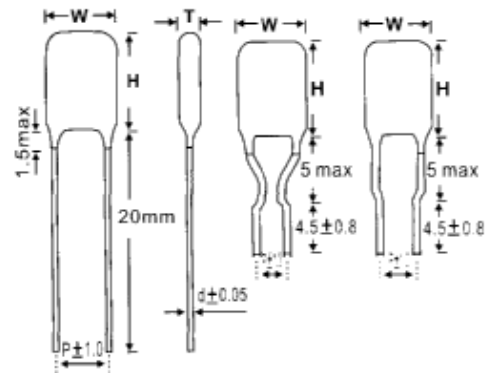


Features:

- I Very low loss at high frequency, high dv/dt ability due and suitable for high current
- I High insulation resistance, long life due to self-healing effect
- I Widely used in high frequency, DC, AC and pulse circuits

Specifications:

Reference Standard	GB 10190-88(IEC 60384-16)	
Climatic Category	40/85/21	
Rated Voltage	100/160V. 250V. 400V. 630V	
Capacitance Range	0.0033~6.8 μF	
Capacitance Tolerance	± 5%(J), ± 10%(K), ± 20%(M)	
Voltage proof	1.6UR(5s)	
Dissipation Factor	≤1.0% (20°C, 1KHz)	
Insulation Resistance	≥25000MΩ (CR≤0.33μF)	(20°C, 1min)
	≥7500s (CR >0.33μF)	



Dimensions:

CAP μF	250VDC				400VDC				630VDC			
	W(mm)	T(mm)	H(mm)	P(mm)	W(mm)	T(mm)	H(mm)	P(mm)	W(mm)	T(mm)	H(mm)	P(mm)
0.047	12.0	4.3	8.8	10.0	12.0	4.3	8.8	10.0	12.0	4.3	8.8	10.0
0.056	12.0	4.0	8.2	10.0	12.0	4.0	8.2	10.0	12.0	4.0	8.2	10.0
0.0068	12.0	4.2	8.5	10.0	12.0	4.2	8.5	10.0	12.0	4.2	8.5	10.0
0.0082	12.0	4.2	9.5	10.0	12.0	4.2	9.5	10.0	12.0	4.2	9.5	10.0
0.01	12.0	4.8	10.0	10.0	12.0	4.8	10.0	10.0	12.0	4.8	10.0	10.0
0.012	12.0	5.0	10.3	10.0	12.0	5.0	10.3	10.0	12.0	5.0	10.3	10.0
0.015	12.0	4.5	9.6	10.0	12.0	4.5	9.6	10.0	12.0	4.0	8.3	10.0
0.018	12.0	4.3	9.5	10.0	12.0	4.3	9.6	10.0	12.0	4.3	9.5	10.0
0.022	12.0	4.7	9.8	10.0	12.0	4.7	9.8	10.0	12.0	4.7	9.8	10.0
0.027	12.0	5.0	10.2	10.0	12.0	5.0	10.0	10.0	12.0	5.0	10.2	10.0
0.033	12.0	5.5	10.6	10.0	12.0	5.5	10.6	10.0	12.0	5.5	10.6	10.0
0.039	12.0	4.8	9.2	10.0	12.0	4.8	9.2	10.0	12.0	6.0	11.2	10.0
0.047	12.0	5.0	9.0	10.0	12.0	9.0	5.0	10.0	12.0	6.5	11.8	10.0
0.056	12.0	5.2	10.5	10.0	12.0	5.2	10.5	10.0	12.0	7.0	12.3	10.0
0.068	12.0	5.7	11.0	10.0	12.0	5.7	11.0	10.0	17.0	6.0	10.8	15.0
0.082	12.0	6.3	11.5	10.0	12.0	6.3	11.5	10.0	17.0	5.7	12.3	15.0
0.1	12.0	7.0	12.0	10.0	12.0	7.0	12.0	10.0	17.0	6.2	12.8	15.0
0.15	17.0	6.0	11.0	15.0	17.0	6.0	11.0	15.0	17.0	7.4	14.0	15.0

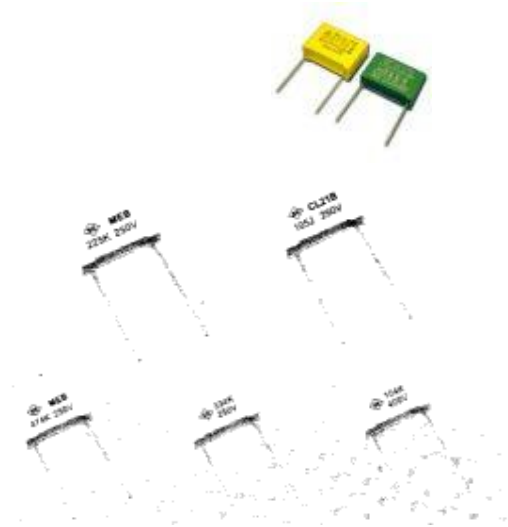
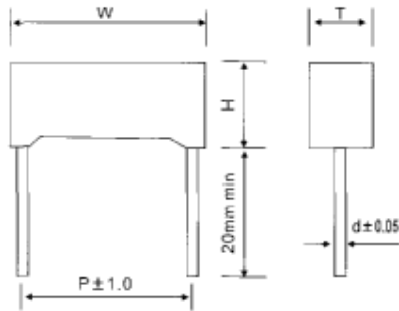
Ancol

0.18	17.0	6.5	11.6	15.0	17.0	6.5	11.6	15.0	17.0	8.2	15.2	15.0
0.22	17.0	6.0	11.2	15.0	17.0	6.8	13.3	15.0	22.5	7.2	14.0	20.0
0.27	17.0	6.0	12.8	15.0	17.0	7.5	14.3	15.0	22.5	8.3	15.2	20.0
0.33	17.0	6.8	13.5	15.0	17.0	8.3	14.7	15.0	22.5	9.0	15.8	20.0
0.39	17.0	7.3	14.2	15.0	17.0	8.8	15.4	15.0	22.5	9.5	16.8	20.0
0.47	22.5	6.8	13.6	20.0	22.5	8.2	15.0	20.0	22.5	10.2	18.5	20.0
0.56	22.5	7.5	14.3	20.0	22.5	9.0	15.5	20.0	22.5	11.0	19.4	20.0
0.68	22.5	8.3	15.2	20.0	22.5	10.3	17.0	20.0	22.5	12.4	20.6	22.0
0.82	22.5	9.0	16.0	20.0	22.5	10.2	18.5	20.0	22.5	13.2	21.7	22.0
1.0	22.5	10.0	17.0	20.0	22.5	11.3	19.5	20.0	28.5	13.8	22.3	26.0
1.2	22.5	10.5	19.0	20.0	22.5	12.5	20.6	20.0	28.5	14.2	22.8	26.0
1.5	22.5	11.8	20.5	20.0	28.5	12.2	20.7	26.0	33.5	14.8	23.5	31.0
1.8	28.5	11.0	19.5	26.0	28.5	13.5	22.0	26.0		15.8	24.0	31.0
2.2	28.5	12.2	20.7	26.0	33.5	13.5	22.0	31.0	33.5	17.5	27.7	31.0
3.3	33.5	13.0	23.0	31.0	33.5	15.3	25.0	31.0	33.5	21.8	32.0	31.0
4.7	33.5	15.6	25.8	31.0	33.5	17.5	27.3	31.0	43.5	22.3	32.5	41.0

Note: or produced and tested by client's requirement

Metalized Polyester Film Capacitor-Box CL21-B[MEB]

AN 026--MEB



Are non-inductively wound with metallized polyester film as dielectric! electrode with copper-clad steel leads and encapsulated in a plastec case sealed with epoxy resin.

Features:

- | Box type provides the identical outer appearance
- | Wide capacitance range, small size
- | Long life due to self-healing effect
- | Suitable for blocking, by-pass and coupling of DC and single to VHF range
- | Widely used in filter, noise suppression and low pulse circuits

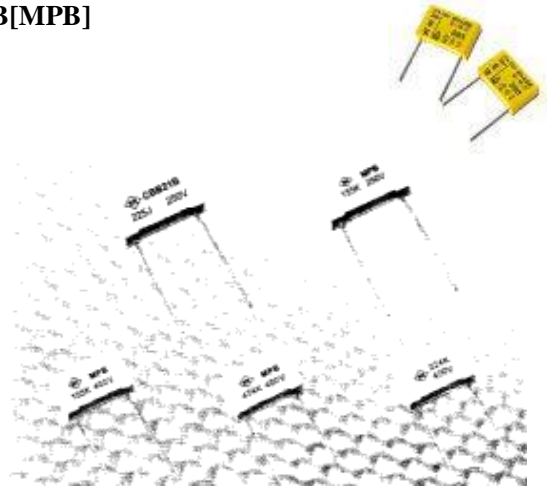
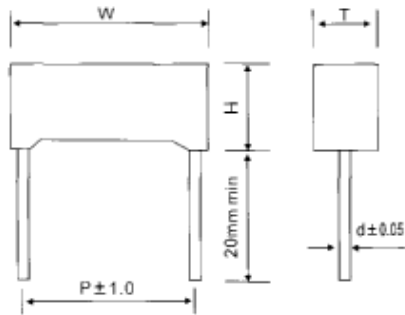
Specifications:

Reference Standard	GB/T7332-1996	
Climatic Category	40/85/21	
Rated Voltage	100/160V, 250V, 400V, 630V	
Capacitance Range	0.010~10.0 μ F	
Capacitance Tolerance	$\pm 5\%$ (J), $\pm 10\%$ (K), $\pm 20\%$ (M)	
Voltage proof	1.6UR(5s)	
Dissipation Factor	1.0% (20 °C, 1KHz)	
Insulation Resistance	$\geq 7500M\Omega$ (CR $\leq 0.33\mu$ F) $\geq 2500s$ (CR $> 0.33\mu$ F)	(20°C, 1min)

Note: or produced and tested by client's requirement

Metallized Polypropylene Film Capacitor- Box CBB21-B[MPB]

AN 028--MPB



Are non-inductively wound with metallized polyester film as the dielectric! electrode with copper-clad steel leads and encapsulated in a plastec case sealed with epoxy resin.

Features:

- | Box type provides the identical outer appearance
- | Very low loss at high frequency, suitable for high current
- | High insulation resistance, long life due to self-healing effect
- | Widely used in high frequency, DC, AC and pulse circuits

Specifications:

Reference Standard	GB 10190-88(IEC 60384-16)	
Climatic Category	40/85/ 21	
Rated Voltage	100/160V. 250V, 400V. 630V	
Capacitance Range	0.0047~6.8 μ F	
Capacitance Tolerance	\pm 5%(J), \pm 10%(K), \pm 20%(M)	
Voltage proof	1.6UR(5s)	
Dissipation Factor	\leq 0.1%(20 °C, 1KHz)	
Insulation Resistance	\geq 25000M (CR \leq 0.33 μ F) \geq 7500s (CR >0.33 p F)	(20°C, 1min)

Dimensions:

Note: or produced and tested by client's requirement

Subminiature Metallized Polyester Film Capacitor CL21X- [MEFmin]

AN 029—MEF min

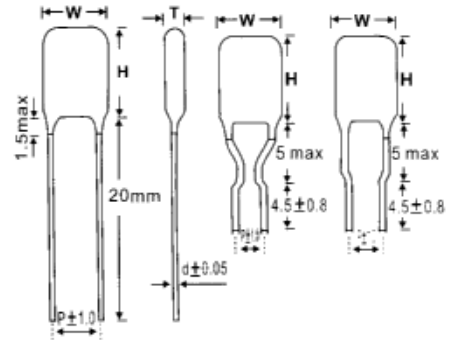
Features:

- Wide capacitance range, small size, High capacitance rate
- Long life due to self-healing effect
- Suitable for blocking, by-pass and coupling of DC and single to VHF range
- Widely used in filter, noise suppression and low pulse circuits



Specifications:

Reference Standard	GB 7335-87	
Climatic Category	40/85/21	
Rated Voltage	50/63V. 100V	
Capacitance Range	0.001~1.0 μ F	
Capacitance Tolerance	$\pm 5\%$ (J), $\pm 10\%$ (K), $\pm 20\%$ (M)	
Voltage proof	1.6UR(5s)	
Dissipation Factor	0.8% (20°C, 1KHz)	
Insulation Resistance	$\geq 15000M\Omega$ (CR $\leq 0.33\mu$ F)	(20°C, 1min)
	$\geq 5000s$ (CR $> 0.33\mu$ F)	



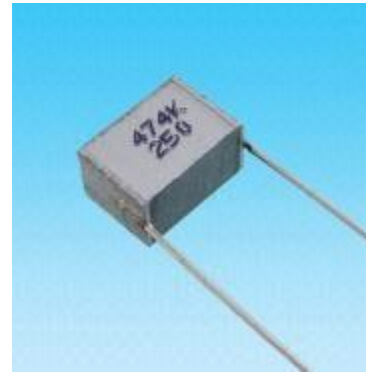
Dimensions:

CAP			50—100VDC			CAP			50—100VDC		
μ F	W(mm)	T(mm)	H(mm)	P(mm)	d(Φ mm)	μ F	W(mm)	T(mm)	H(mm)	P(mm)	d(Φ mm)
0.001	7.3	4.0	7.0	5.0	0.5	0.039	7.3	4.5	7.5	5.0	0.5
0.0012	7.3	4.0	7.0	5.0	0.5	0.047	7.3	4.5	7.5	5.0	0.5
0.0015	7.3	4.0	7.0	5.0	0.5	0.056	7.3	4.5	8.0	5.0	0.5
0.0018	7.3	4.0	7.0	5.0	0.5	0.068	7.3	4.5	8.0	5.0	0.5
0.0022	7.3	4.0	7.0	5.0	0.5	0.082	7.3	4.5	8.0	5.0	0.5
0.0027	7.3	4.0	7.0	5.0	0.5	0.10	7.3	4.5	9.5	5.0	0.5
0.0033	7.3	4.0	7.0	5.0	0.5	0.12	10.2	4.5	8.0	7.5	0.5
0.0039	7.3	4.0	7.0	5.0	0.5	0.15	10.2	4.5	9.0	7.5	0.5
0.0047	7.3	4.0	7.0	5.0	0.5	0.18	10.2	4.5	9.0	7.5	0.5
0.0056	7.3	4.0	7.0	5.0	0.5	0.22	10.2	5.0	9.5	7.5	0.5
0.0068	7.3	4.0	7.0	5.0	0.5	0.27	10.2	5.5	10.0	7.5	0.5
0.0082	7.3	4.0	7.0	5.0	0.5	0.33	10.2	5.0	8.0	7.5	0.5
0.010	7.3	4.0	7.0	5.0	0.5	0.39	10.2	5.0	8.5	7.5	0.5
0.012	7.3	4.0	7.0	5.0	0.5	0.47	10.2	6.0	10.2	7.5	0.5
0.015	7.3	4.0	7.0	5.0	0.5	0.56	10.2	6.0	9.0	7.5	0.5
0.018	7.3	4.0	7.0	5.0	0.5	0.68	10.2	6.5	9.5	7.5	0.5
0.022	7.3	4.0	7.0	5.0	0.5	0.82	10.2	7.0	10.0	7.5	0.5
0.027	7.3	4.0	7.0	5.0	0.5	1.0	10.2	7.5	11.0	7.5	0.5
0.033	7.3	4.5	7.5	5.0	0.5						

Note: or produced and tested by client's requirement

Metallized Polyester Film Stacked Capacitor CL21S --[MES]

AN030--MES



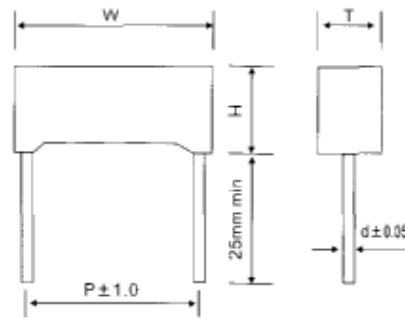
Coiled with dielectrics and electrodes made of metallized polyester films, conducting wire down-leads in a single direction, which is a tinned copper binding wire. Rectangular enclosure adopts self-extinguishing plastics and encapsulated with anti-flaming araldite.

Features:

- I Little volume and weight,
- I extensive capacity range, great specific volume Good self-cure ability,
- I longer life Suitable to direct current and direct current blocking, bypass, coupling, and filtering of VHF signal
- I Especially applicable to color TV, programmable exchanger and military complete machines

Specifications:

Reference Standard	IEC 60384-2, GB/T7332-1996			
Climatic Category	40/85/21			
Rated Voltage	50V/63V. 100V. 250V 400V. 630V			
Capacitance Range	1000PF~1.0 . μ F			
Capacitance Tolerance	$\pm 5\%$ (J), $\pm 10\%$ (K), $\pm 20\%$ (M)			
Dissipation Factor	1.0% (20°C, 1KHz)			
Voltage proof	1.6UR(5s)			
Insulation Resistance	$C > 0.33\mu\text{F}$		$(C \leq 0.33\mu\text{F})$	
	$U_R > 100\text{V}$	$U_R \leq 100\text{V}$	$U_R > 100\text{V}$	$U_R \leq 100\text{V}$
	2500S	1250S	7500M Ω	3750M Ω



Dimensions:

Ancol

CAP	63VDC				100VDC				250VDC				400VDC				630VDC			
μF	W(mm)	T(m)	H(m)	P(m)	W(mm)	T(m)	H(m)	P(m)	W(mm)	T(m)	H(m)	P(m)	W(mm)	T(m)	H(m)	P(m)	W(mm)	T(m)	H(m)	P(m)
0.001	7.2	2.5	6.5	5.0	7.2	2.5	6.5	5.0	7.2	2.5	6.5	5.0	7.2	2.5	6.5	5.0	10.0	2.5	7.0	7.5
0.0015	7.2	2.5	6.5	5.0	7.2	2.5	6.5	5.0	7.2	2.5	6.5	5.0	7.2	2.5	6.5	5.0	10.0	2.5	7.0	7.5
0.0022	7.2	2.5	6.5	5.0	7.2	2.5	6.5	5.0	7.2	2.5	6.5	5.0	7.2	2.5	6.5	5.0	10.0	2.5	7.0	7.5
0.0033	7.2	2.5	6.5	5.0	7.2	2.5	6.5	5.0	7.2	2.5	6.5	5.0	7.2	2.5	6.5	5.0	10.5	3.5	6.5	7.5
0.0047	7.2	2.5	6.5	5.0	7.2	2.5	6.5	5.0	7.2	2.5	6.5	5.0	7.2	2.5	6.5	5.0	10.5	4.0	9.0	7.5
0.0068	7.2	2.5	6.5	5.0	7.2	2.5	6.5	5.0	7.2	2.5	6.5	5.0	7.2	2.5	6.5	5.0	10.5	4.0	9.0	7.5
0.01	7.2	2.5	6.5	5.0	7.2	2.5	6.5	5.0	7.2	2.5	6.5	5.0	7.2	2.5	6.5	5.0	10.5	4.0	9.0	7.5
0.015	7.2	2.5	6.5	5.0	7.2	2.5	6.5	5.0	7.2	2.5	6.5	5.0	7.2	2.5	6.5	5.0	10.5	5.0	11.0	7.5
0.022	7.2	2.5	6.5	5.0	7.2	2.5	6.5	5.0	7.2	2.5	6.5	5.0	7.2	2.5	6.5	5.0	10.5	6.0	12.0	7.5
0.033	7.2	2.5	6.5	5.0	7.2	2.5	6.5	5.0	7.2	2.5	6.5	5.0	7.2	3.5	7.5	5.0	10.5	6.0	12.0	7.5
0.047	7.2	2.5	6.5	5.0	7.2	2.5	6.5	5.0	7.2	2.5	6.5	5.0	7.2	3.5	7.5	5.0	10.5	4.0	9.0	7.5
0.068	7.2	2.5	6.5	5.0	7.2	2.5	6.5	5.0	7.2	2.5	6.5	5.0	7.2	3.5	7.5	5.0	10.5	4.0	9.0	7.5
0.1	7.2	2.5	6.5	5.0	7.2	3.5	7.5	5.0	7.2	3.5	7.5	5.0	7.2	4.5	9.5	5.0	10.5	4.0	9.0	7.5
0.15	7.2	2.5	6.5	5.0	7.2	4.5	9.5	5.0	7.2	4.5	9.5	5.0	7.2	5.0	10.0	5.0	10.5	5.0	11.0	7.5
0.22	7.2	3.5	7.5	5.0	7.2	5.0	10.0	5.0	7.2	5.0	10.0	5.0	7.2	6.0	11.0	5.0	10.5	6.0	11.0	7.5
0.33	7.2	4.5	9.5	5.0	7.2	6.0	11.0	5.0	7.2	6.0	11.0	5.0								
0.47	7.2	5.0	10.0	5.0	7.2	6.0	11.0	5.0	7.2	6.0	11.0	5.0								
0.68	7.2	6.0	11.0	5.0	7.2	6.0	11.0	5.0	7.2	6.0	11.0	5.0								
1.0	7.2	6.0	11.0	5.0	7.2	6.0	11.0	5.0	7.2	6.0	11.0	5.0								
0.001	10.0	2.5	7.0	7.5	10.0	2.5	7.0	7.5	10.0	2.5	7.0	7.5	10.0	2.5	7.0	7.5				
0.0015	10.0	2.5	7.0	7.5	10.0	2.5	7.0	7.5	10.0	2.5	7.0	7.5	10.0	2.5	7.0	7.5				
0.0022	10.0	2.5	7.0	7.5	10.0	2.5	7.0	7.5	10.0	2.5	7.0	7.5	10.0	2.5	7.0	7.5				
0.0033	10.0	2.5	7.0	7.5	10.0	2.5	7.0	7.5	10.0	2.5	7.0	7.5	10.0	2.5	7.0	7.5				
0.0047	10.0	2.5	7.0	7.5	10.0	2.5	7.0	7.5	10.0	2.5	7.0	7.5	10.0	2.5	7.0	7.5				
0.0068	10.0	2.5	7.0	7.5	10.5	3.5	6.5	7.5	10.0	2.5	7.0	7.5	10.0	2.5	7.0	7.5				
0.01	10.0	2.5	7.0	7.5	10.5	4.0	9.0	7.5	10.0	2.5	7.0	7.5	10.0	2.5	7.0	7.5				
0.015	10.0	2.5	7.0	7.5	10.5	4.0	9.0	7.5	10.0	2.5	7.0	7.5	10.0	2.5	7.0	7.5				
.022	10.0	2.5	7.0	7.5	10.5	4.0	9.0	7.5	10.0	2.5	7.0	7.5	10.0	2.5	7.0	7.5				
.033	10.0	2.5	7.0	7.5	10.5	5.0	11.0	7.5	10.0	2.5	7.0	7.5	10.0	2.5	7.0	7.5				
.047	10.0	2.5	7.0	7.5	10.5	6.0	12.0	7.5	10.0	2.5	7.0	7.5	10.0	2.5	7.0	7.5				
.068	10.0	2.5	7.0	7.5	10.5	6.0	12.0	7.5	10.0	2.5	7.0	7.5	10.5	3.5	7.0	7.5				
0.1	10.0	2.5	7.0	7.5					10.0	2.5	7.0	7.5	10.5	4.0	7.0	7.5				
0.15	10.0	2.5	7.0	7.5					10.5	3.5	6.5	7.5	10.5	4.0	7.0	7.5				
0.22	10.5	3.5	6.5	7.5					10.5	4.0	9.0	7.5	10.5	5.0	7.0	7.5				
0.33	10.5	4.0	9.0	7.5					10.5	5.0	11.0	7.5	10.5	6.0	6.5	7.5				
0.47	10.5	4.0	9.0	7.5					10.5	6.0	12.0	7.5								
0.68	10.5	5.0	11.0	7.5					10.5	6.0	12.0	7.5								
1.0	10.5	6.0	12.0	7.5					10.5	6.0	12.0	7.5								

Note: or produced and tested by client's requirement

Polyester Film Capacitor CL11[PEI]

AN031--PEI

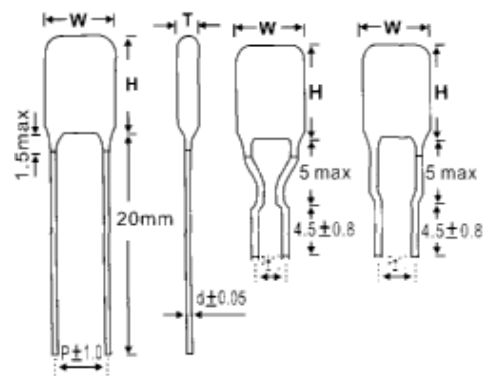


Features:

- I Small size, light weight and low cost
- I High stability and reliability
- I Dissipation factor is small because the leads are directly welded to electrodes
- I Widely used in DC and pulsating circuits of radio, Communication TV sets and various electronic equipments

Specifications:

Reference Standard	GB 6349-86	
Climatic Category	40/85/21	
Rated Voltage	63V. 100V. 250V. 400V. 630V. 1000V. 1200V	
Capacitance Range	0.001~0.47 μ F	
Capacitance Tolerance	\pm 5% (J), \pm 10% (K), \pm 20% (M)	
Voltage proof	2UR(5s)	
Dissipation Factor	1.0% (20 °C, 1KHz)	
Insulation Resistance	\geq 30000M Ω (CR \leq 0.1 μ F)	(20°C, 1min)
	\geq 10000M Ω (CR>0.1 μ F)	



Dimensions:

CAP μ F	50VDC				100VDC				250VDC			
	W(m mm)	T(m m)	H(m m)	P(m m)	W(m mm)	T(m m)	H(m m)	P(m m)	W(m mm)	T(m m)	H(m m)	P(m m)
0.0010	5.5	3.5	7.5	3.5	6.0	3.5	10.5	3.5	6.5	4.0	11.	3.5
0.0012	5.5	3.5	7.5	3.5	6.0	3.5	10.5	3.5	6.5	4.0	11.	3.5
0.0015	5.5	3.5	7.5	3.5	6.0	3.5	10.5	3.5	6.5	4.0	11.	3.5
0.0018	5.5	3.5	7.5	3.5	6.0	3.5	10.5	3.5	6.5	4.0	11.	3.5
0.0022	5.5	3.5	7.5	3.5	6.0	3.5	10.5	3.5	6.5	4.0	11.	3.5
0.0027	5.5	3.5	7.5	3.5	6.0	3.5	10.	3.5	6.5	4.0	11.	3.5
0.0033	5.5	3.5	7.5	3.5	6.0	3.5	10.	3.5	6.5	4.0	11.	3.5
0.0039	5.5	3.5	7.5	3.5	6.0	3.5	10.	3.5	6.5	4.0	11.	3.5
0.0047	5.5	3.5	7.5	3.5	6.0	3.5	10.	3.5	6.5	4.0	11.	3.5
0.0056	5.5	3.5	7.5	3.5	6.0	4.0	10.	3.5	7.0	4.0	11.	5.0
0.0068	5.5	3.5	7.5	3.5	6.0	4.0	11.	3.5	7.0	4.0	11.	5.0
0.0082	5.5	3.5	7.5	3.5	6.5	4.0	11.	5.0	8.0	4.0	13.0	3.0
0.0100	6.0	3.5	9.5	3.5	6.5	4.0	11.	5.0	8.0	4.0	13.0	5.0
0.0120	6.0	3.5	9.5	3.5	6.5	4.0	11.5	5.0	8.5	5.0	13.5	5.0
0.0150	6.0	3.5	9.5	3.5	7.3	4.0	12.0	5.0	8.5	5.0	13.5	5.0
0.0180	6.5	3.5	9.5	4.0	7.5	4.0	12.0	5.0	9.0	5.7	14.0	5.0

CAP μ F	50VDC				100VDC				250VDC1			
	W(m m)	T(m m)	H(m m)	P(m m)	W(m m)	T(m m)	H(m m)	P(m m)	W(m m)	T(m m)	H(m m)	P(m m)
0.0220	6.5	3.5	9.5	4.0	8.0	4.5	12.0	5.0	9.0	6.0	14.0	6.5
0.0270	6.9	4.0	9.5	4.0	8.0	5.0	12.0	5.0	10.0	6.0	10.0	6.5
0.0330	7.5	4.0	9.5	5.0	9.5	5.0	12.0	5.0	10.0	6.5	15.0	6.5
0.0390	7.5	4.5	9.5	5.0	9.5	5.0	12.0	5.0	11.5	7.0	35.5	6.5
0.0470	7.5	4.5	9.5	5.5	9.5	5.0	12.0	5.0	12.5	8.5	17.5	6.5
0.0560	8.0	4.5	11.0	5.5	10.0	5.5	12.5	7.5	14.0	8.5	21.0	7.5
0.0680	9.0	5.0	11.0	5.5	10.0	5.5	12.5	7.5	14.0	8.5	21.0	7.5
0.0820	9.0	5.5	11.5	6.0	11.0	6.5	12.5	7.3	16.0	9.5	22.0	8.5
0.1000	10.0	6.0	11.5	6.0	11.5	6.5	14.5	7.5	16.0	9.5	22.0	8.5
0.1200	11.0	6.0	11.5	6.0	12.5	7.0	16.5	8.0	17.0	10.0	19.0	9.0
0.1500	11.0	6.5	12.5	6.0	12.5	7.0	16.5	8.0	17.0	11.0	22.0	10.5
0.1500	12.0	7.0	13.0	7.0	13.0	7.5	16.5	8.0				
0.2200	15.0	8.0	14.0	7.0	14.0	8.0	17.5	9.0				
0.3300	16.5	9.5	18.0	11.0	16.0	8.5	19.5	10.0				
0.4700	18.0	10.0	22.5	11.5	16.0	10.0	21.5	10.0				

CAP	400VDC				630VDC				1000VDC			
	W(m)	T(m)	H(m)	P(m)	W(m)	T(m)	H(m)	P(m)	W(m)	T(m)	H(m)	P(m)
0.0010	7.0	4.0	12.0	4.0	7.5	4.5	12.5	5.0	5.5	3.5	11.5	4.0
0.0015	7.5	4.0	12.5	4.0	7.5	4.5	12.5	5.0	5.5	3.5	12.0	3.5
0.0022	7.5	5.0	12.5	4.0	8.5	5.0	13.0	5.0	6.0	3.5	11.0	4.0
0.0033	8.0	5.0	13.5	6.0	9.0	5.0	13.5	5.0	7.0	4.0	12.5	5.0
0.0047	9.0	6.0	14.0	6.0	10.0	5.5	14.0	7.0	8.0	5.5	13.5	5.5
0.0056	9.5	6.0	14.0	6.0	10.0	6.0	14.0	7.0	8.0	6.0	14.5	5.5
0.0068	9.5	6.0	14.5	6.0	11.0	6.0	15.0	7.0	9.0	5.0	12.5	5.5
0.0082	10.5	6.5	15.1	7.0	11.0	6.5	15.0	7.0	9.0	5.5	3.0	5.5
0.0100	10.5	6.5	15.0	7.0	11.0	7.5	15.5	7.0	11.5	7.5	18.5	7.5

CAP	400VDC				630VDC				1000VDC			
	W(m)	T(m)	H(m)	P(m)	W(m)	T(m)	H(m)	P(m)	W(m)	T(m)	H(m)	P(m)
0.0150	12.0	8.0	15.5	7.0	13.5	8.0	18.0	9.0				
0.0220	12.0	8.5	18.5	7.0	14.5	8.5	18.5	9.0				
0.0330	13.5	8.5	21.0	9.0	10.5	6.5	13.5	7.0				
0.0470	15.5	9.5	22.0	9.0	12.5	7.5	15.5	8.5				
0.0560	17.5	11.5	23.5	9.0								
0.0680	17.5	11.5	23.5	9.0								
0.0820	19.0	11.0	24.5	11.5								
0.1000	19.0	12.0	24.5	11.5								

Note: or produced and tested by client's requirement

Polypropylene Film Capacitor CBB13 [PPN]

AN 032--PPN



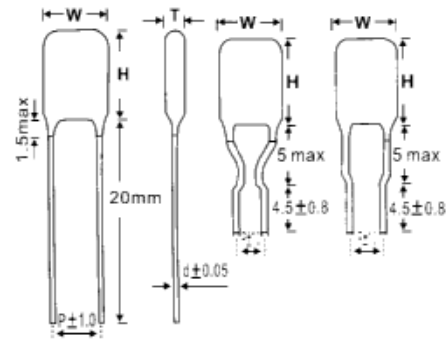
Are non-inductively wound with metallized polypropylene film as the dielectric and aluminum foil as the electrode with copper-clad steel leads and epoxy resin coating.

Features:

- l Very low loss at high frequency, suitable for high current
- l Excellent frequency and temperature characteristics
- l High in sulation resistance, self-healing effect
- l Widely used in high frequency, DC, AC and pulse circuits

Specifications:

Reference Standard	GB 10188-88(IEC 60384-13)	
Climatic Category	40/85/21	
Rated Voltage	100V. 200/250V, 400V. 630V. 1000V	
Capacitance Range	0.001~1μF	
Capacitance Tolerance	± 5% (J), ± 10% (K)	
Voltage proof	2UR(5s)	
Dissipation Factor	0.08% (20 °C, 10KHz)	
Insulation Resistance	≥ 30000MΩ (CR ≤ 0.1μF)	(20°C, 1min)
	≥ 3000s (CR > 0.1μF)	



Polypropylene Film Capacitor CBB13 [PPN]

Dimensions:

CAP j F	250VDC				400VDC				630VDC				1000VDC			
	W(m m)	T(m m)	H(m m)	P(m m)	W(m m)	T(m m)	H(m m)	P(m m)	W(m m)	T(m m)	H(m m)	P(m m)	W(m m)	T(m m)	H(m m)	P(m m)
0.001	12.0	5.5	9.5	8.5	13.5	6.0	10.0	10.0	14.5	6.0	10.0	11.0	14.5	6.0	10.0	11.0
0.0022	12.0	5.5	9.5	8.5	13.5	5.5	9.5	10.0	14.5	6.5	11.0	11.0	16.0	6.5	11.5	12.5
0.0033	12.0	6.5	10.0	8.5	13.5	6.0	10.0	10.0	14.5	7.5	12.0	11.0	16.0	7.5	12.0	12.5
0.0047	12.0	6.5	10.0	8.5	15.0	6.0	11.5	11.0	14.5	8.5	13.0	11.0	18.0	7.5	13.0	14.0
0.0068	12.0	7.0	11.0	8.5	15.0	7.0	12.0	11.0	18.0	7.0	12.5	14.0	18.0	8.0	15.0	15.0
0.01	14.0	7.0	11.5	10.0	15.0	8.0	13.0	11.0	18.0	7.5	14.5	14.0	22.5	8.5	15.5	19.0
0.015	18.0	6.0	11.5	14.0	18.0	7.0	12.5	14.0	22.5	8.0	15.0	19.0	22.5	10.0	16.5	19.0
0.018	18.0	6.5	11.5	14.1	18.0	7.5	12.5	14.0	22.5	8.5	15.5	19.0	22.5	10.0	18.5	19.0
0.022	18.0	7.0	12.0	14.0	18.0	8.0	13.5	14.0	22.5	9.0	16.0	19.0	22.5	11.5	19.0	19.0
0.027	18.0	7.0	13.5	14.0	18.0	8.0	15.0	14.0	22.5	9.5	17.5	19.0	22.5	12.0	20.0	19.0
0.033	18.0	7.5	14.0	14.0	22.5	8.0	15.0	19.0	22.5	10.0	18.5	19.0	29.0	11.0	19.5	24.0
0.039	18.0	8.0	14.5	14.0	22.5	8.5	15.5	19.0	22.5	11.0	19.0	19.0	29.0	12.0	20.0	24.0
0.047	18.0	8.5	15.5	14.0	22.5	9.0	16.0	19.0	22.5	11.5	20.0	19.0	29.0	13.0	21.0	24.0
0.056	22.5	8.0	16.5	19.0	22.5	9.0	17.5	19.0	29.0	11.0	19.0	24.0	29.0	14.0	22.0	24.0
0.068	22.5	8.5	17.0	19.0	22.5	10.0	18.5	19.0	29.0	12.0	20.0	24.0	29.0	15.0	23.5	24.0
0.082	22.5	9.0	17.5	19.0	22.5	11.0	19.0	19.0	29.0	12.0	22.0	24.0	34.0	14.0	24.0	29.0
0.1	22.5	10.0	18.0	19.0	29.0	10.0	18.0	24.0	29.0	13.5	23.0	24.0	34.0	15.0	25.0	29.0
0.15	25.0	11.0	21.0	21.0	29.0	13.0	21.0	24.0								
0.22	29.0	11.0	23.0	25.0	30.0	13.5	25.0	25.0								
0.27	29.0	13.0	25.0	25.0	31.0	14.0	26.0	26.0								
0.33	30.0	15.0	26.0	25.0	31.0	15.0	27.0	26.0								
0.39	30.0	17.0	28.0	25.0	31.0	17.0	29.0	26.0								
0.47	30.0	18.0	29.0	25.0	32.0	20.0	30.0	26.0								

Note: or produced and tested by client's requirement

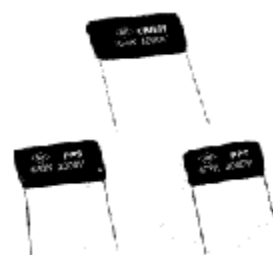
Polypropylene Film Capacitor CBB81 [PPS]

AN033--PPS

Are non-inductively wound with polypropylene film as the dielectric and aluminum foil as the electrode with copper-clad steel leads and epoxy resin coated.

Features:

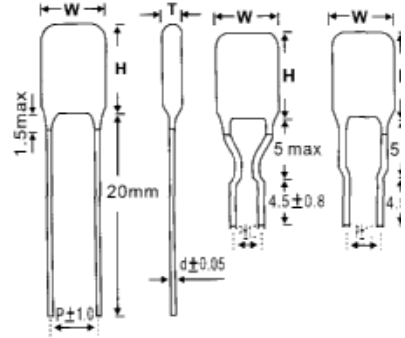
- l Very low loss at high frequency, suitable for high current
- l Excellent frequency and temperature characteristics
- l High insulation resistance, self-healing effect
- l Widely used in high frequency, DC, AC and pulse circuits



Polypropylene Film Capacitor CBB81 [PPS]

Specifications:

Reference Standard	GB 10188-88(IEC 60384-13)	
Climatic Category	40/85/21	
Rated Voltage	1000V,1200V, 1600V, 2000V, 3000V	
Capacitance Range	0.0010~1.0 μF	
Capacitance Tolerance	± 5%(J), ± 10%(K)	
Voltage proof	2.0UR(5s)	
Dissipation Factor	0.08%(20°C, 10KHz)	
Insulation Resistance	≥30000MΩ(CR≤0.1μF)	(20°C, 1min)
	≥3000s (CR >0.1 μF)	



Dimensions:

CAP μF	1000/1250VDC					1600J2000VDC				
	W(mm)	T(mm)	H(mm)	P(mm)	d(Φ mm)	W(mm)	T(mm)	H(mm)	P(mm)	d(Φ mm)
0.001	20.0	6.5	11.5	16.0	0.8	20.0	8.0	13.5	16.0	0.8
0.0012	20.0	6.5	11.5	16.0	0.8	20.0	8.0	13.5	16.0	0.8
0.0015	20.0	6.5	11.5	16.0	0.8	20.0	8.5	14.0	16.0	0.8
0.0018	20.0	6.5	11.5	16.0	0.8	20.0	9.0	14.5	16.0	0.8
0.002	20.0	6.5	11.5	16.0	0.8	20.0	9.5	15.5	16.0	0.8
0.0024	20.0	6.5	11.5	16.0	0.8	20.0	10.0	16.0	16.0	0.8
0.0027	20.0	6.5	11.5	16.0	0.8	20.0	10.0	16.0	16.0	0.8
0.0030	20.0	6.5	11.5	16.0	0.8	20.0	10.5	16.5	16.0	0.8
0.0033	20.0	6.5	11.5	16.0	0.8	20.0	11.0	16.5	16.0	0.8
0.0039	20.0	7.0	12.0	16.0	0.8	25.0	9.0	16.0	21.0	0.8
0.0047	20.0	7.5	12.5	16.0	0.8	25.0	9.5	16.5	21.0	0.8
0.0051	20.0	7.5	12.5	16.0	0.8	25.0	10.0	17.0	21.0	0.8
0.0056	20.0	8.0	13.5	16.0	0.8	25.0	10.0	17.0	21.0	0.8
0.0062	20.0	8.0	14.5	16.0	0.8	25.0	10.0	17.5	21.0	0.8
0.0068	20.0	8.0	14.5	16.0	0.8	25.0	10.5	17.5	21.0	0.8
0.0072	20.0	8.0	14.5	16.0	0.8	25.0	11.0	18.0	21.0	0.8
0.0075	20.0	8.5	15.0	16.0	0.8	25.0	11.0	18.0	21.0	0.8
0.0082	20.0	8.5	15.0	16.0	0.8	25.0	11.5	18.5	21.0	0.8
0.0091	20.0	9.0	16.0	16.0	0.8	25.0	12.0	19.0	21.0	0.8
0.01	20.0	9.0	16.0	16.0	0.8	30.0	10.5	18.0	25.0	0.8
0.12	20.0	10.0	17.0	16.0	0.8	30.0	11.0	19.0	25.0	0.8
0.15	25.0	8.5	15.0	21.0	0.8	30.0	12.0	20.5	25.0	0.8
0.18	25.0	9.0	1.0	21.0	0.8	30.0	13.5	21.5	25.0	0.8
0.22	25.0	10.0	17.0	21.0	0.8	30.0	14.0	23.5	25.0	0.8

Note: or produced and tested by client's requirement

Metalized Polypropylene Film Capacitor For AC CBB60

AN034—AC CBB60

Outline Drawing

Are non-inductively wound with metallized polypropylene film as the dielectric/electrode with UL leads and encapsulated in a plastic case sealed with epoxy resin.

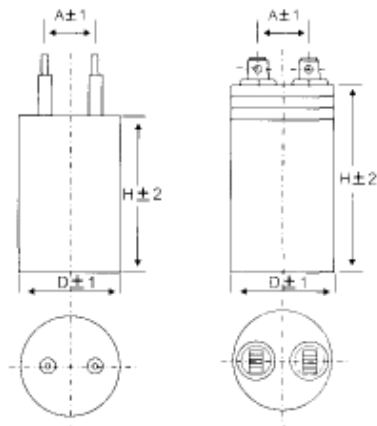
Features:

- Box type provides the identical outer appearance
- Very low loss at high frequency, suitable for high current
- High insulation resistance, long life due to self-healing effect
- Applicable to the start-up and operation of 50Hz(60Hz) single-phase motor.



Specifications:

Reference Standard	GB 3667-1997(IEC 252)	
Climatic Category	40/70/21	
Rated Voltage	250VAC~500VAC	
Capacitance Range	8-100μF	
Capacitance Tolerance	± 5% (J), + 10% (K), ± 20% (M)	
Voltage proof	Between Terminals	1.6UR(5s)
	Terminals to case	2000VAC
Dissipation Factor	≤0.4% (20°C, 50Hz)	
Insulation Resistance	≥4000s	(20°C, 1min)



Dimensions:

CAP		250VAC		350VAC		400V—500VAC	
CODE	μF	D(mm)	H(mm)	D(mm)	H(mm)	D(mm)	H(mm)
105	1.0	18	45	18	45	20	45
125	1.2	18	45	18	45	20	45
155	1.5	18	45	22	45	24	45
205	2.0	22	45	22	45	24	45
255	2.5	22	45	26	45	28	45
305	3.0	22	45	26	45	28	45
355	3.5	22	45	26	45	32	45
405	4.0	26	45	30	45	32	45
455	4.5	26	45	30	45	30	55
505	5.0	26	45	30	45	30	55
605	6.0	30	45	30	55	40	70
805	8.0	30	45	30	55	40	70
106	10	30	55	32	70	40	70
126	12	30	55	32	70	40	70
166	16	32	70	40	70	50	83
206	20	32	70	40	70	50	83

Ancol

256	25	40	70	50	83	50	83
306	30	40	70	50	83	50	83
406	40	50	83	50	83	65	103
506	50	50	83	50	83	65	103
606	60	50	83	65	105	65	103
706	70	50	83	65	105	65	103
806	80	52	105	65	105		
107	100	52	105	65	105		

Note: or produced and tested by client's requirement

Metallized Polypropylene Film Capacitor For AC CBB61

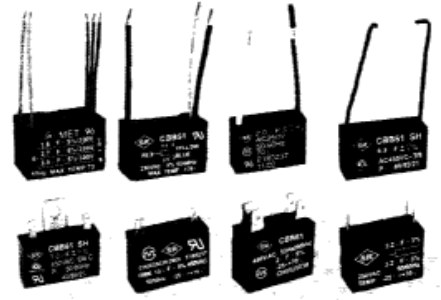
AN035—AC CBB61

Outline Drawing

Are non-inductively wound with metallized polypropylene film as the dielectric/ electrode with UI leads and encapsulated in a plastic case sealed with epoxy resin.

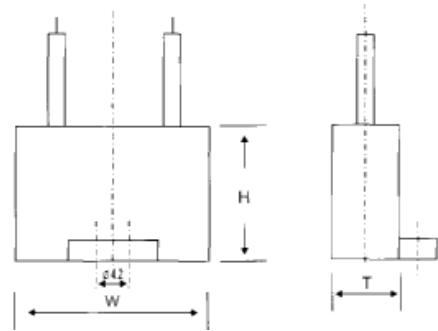
Features:

- Box type provides the identical outer appearance
- Very low loss at high frequency, suitable for high current
- High insulation resistance, long life due to self-healing effect
- Applicable to the start-up and operation of 50Hz(60Hz)single-phase motor



Specifications:

Reference Standard	GB 3667-1997(IEC 252-1992)	
Climatic Category	40/70/21	
Rated Voltage	250VAC~500VAC	
Capacitance Range	0.5~20 μ F	
Capacitance Tolerance	$\pm 5\%$ (J), $\pm 10\%$ (K), $\pm 20\%$ (M)	
Voltage proof	Between Terminals	1.6UR(5s)
	Terminals to case	2000VAC
Dissipation Factor	$\leq 0.4\%$ (20 $^{\circ}$ C, 1KHz)	
Insulation Resistance	$\geq 4000s$	(20 $^{\circ}$ C, 1min)



Dimensions:

CAP	250VAC				450VAC				
	μ F	W(mm)	T(mm)	H(mm)	P(mm)	W(mm)	T(mm)	H(mni)	P(mm)
0.5	26.5	7.0	16.5	22.5	32.0	13.0	23.0	27.0	
1.0	32.0	11.0	20.0	26.0	38.0	13.0	22.0	31.0	
1.2	32.0	12.0	22.0	26.0	38.0	15.0	23.0	31.0	
1.5	32.0	12.0	22.0	26.0	38.0	15.0	28.0	31.0	
2.0	32.0	12.0	22.0	26.0	38.0	18.0	28.0	31.0	
2.2	32.0	13.0	23.0	26.0	38.0	18.0	18.0	31.0	
2.5	32.0	13.0	23.0	26.0	38.0	21.0	31.0	31.0	

Ancol

2.5	32.0	13.0	23.0	26.0	38.0	21.0	31.0	31.0
3.0	32.0	14.0	25.0	26.0	38.0	21.0	31.0	31.0
3.3	38.0	14.0	23.0	31.0	47.0	19.5	33.0	41.0
4.0	38.0	15.0	25.0	31.0	48.0	23.0	32.0	41.0
4.5	38.0	15.0	27.0	31.0	48.0	24.0	37.0	41.0
4.7	38.0	16.0	26.0	31.0	48.0	24.0	37.0	41.0
5.0	38.0	16.0	26.0	31.0	48.0	24.0	37.0	41.0
6.0	38.0	18.0	28.0	31.0	48.0	28.0	38.0	41.0
6.8	38.0	20.0	30.0	31.0	48.0	30.0	40.0	41.0
8.0	48.0	19.0	35.0	41.0	48.0	32.0	40.0	41.0
10.0	48.0	19.0	35.0	41.0	48.0	36.0	47.0	41.0
12.0	48.0	20.0	35.0	41.0				
15.0	48.0	24.0	36.0	41.0				
18.0	48.0	36.0	38.0	41.0				
20.0	48.0	32.0	40.0	41.0				

Note: or produced and tested by client's requirement

Metallized Polypropylene Film Capacitor-High Temperature CBB60-H

AN036—AC CBB60-H

Outline Drawing

Are non-inductively wound with metallized polypropylene(PHD) film as the dielectric/electrode with high temperature of leads encapsulated in a plastic case sealed with epoxy resin.

Features:

Box type provides the identical outer appearance

Very low loss at high frequency, suitable for high current

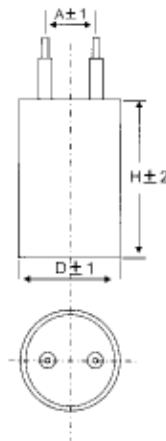
High insulation resistance, long life due to self-healing effect

Applied to high temperature circumstance



Specifications:

Reference Standard	GB 36674997(IEC 252)	
Climatic Category	40/110/21	
Rated Voltage	250VAC-500VAC	
Capacitance Range	1.0~100 μF	
Capacitance Tolerance	+ 5% (J), + 10%(K)	
Voltage proof	Between Terminals	1.6UR(5s)
	Terminals to case	2000VAC
Dissipation Factor	≤0.4%(20°C, 1KHz)	
Insulation Resistance	≥4000s	(20°C, 1min)



Metallized Polypropylene Film Capacitor-High Temperature CBB60-H

Dimensions:

CAP		250VAC		350VAC		400V~500VAC	
CODE	μF	D(mm)	H(mm)	D(mm)	H(mm)	D(mm)	H(mm)
105	1.0	18	45	18	45	20	45
125	1.2	18	45	18	45	20	45
155	1.5	18	45	22	45	24	45
205	2.0	22	45	22	45	24	45
255	2.5	22	45	26	45	28	45
305	3.0	22	45	26	45	28	45
355	3.5	22	45	26	45	32	45
405	4.0	26	45	30	45	32	45
455	4.5	26	45	30	43	30	55
505	5.0	26	45	30	45	30	55
605	6.0	30	45	30	55	40	70
805		30	45	30	55	40	70
106	10.0	30	55	32	70	40	70
126	12.0	30	55	32	70	40	70
166	16.0	32	70	40	70	50	83
206	20.0	32	70	40	70	50	83
256	25.0	40	70	50	83	50	83
306	30.0	40	70	50	83	50	83
406	40.0	50	83	50	83	65	103
506	50.0	50	83	50	83	65	103
606	60.0	50	83	65	105	65	103
706	70.0	50	83	65	105	65	103
806	80.0	52	105	65	105		

Note: or produced and tested by client's requirement

Metallized Polypropylene Film Capacitor For AC CBB65

AN 037 –AC CBB65

Outline Drawing

Are non-inductively wound with metallized polypropylene film as the dielectric / electrode with UL eades and encapsulated in a plastic case sealed with epoxy resin.

Features:

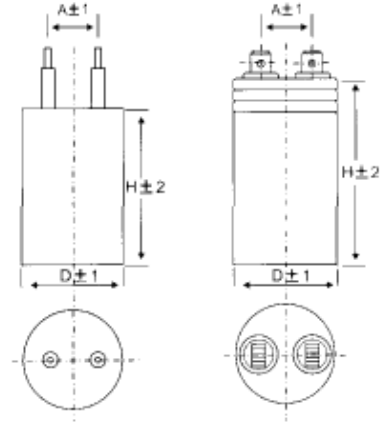
- Box type provides the identical outer appearance
- Degree of protection: P2
- Very low loss at high frequency, suitable for high current
- High inxulation resistance, long life due to self-healing effect
- Applicable to the start-up and operation of 50Hz(60Hz)single-phase motor



Metalized Polypropylene Film Capacitor For AC CBB65

Specifications:

Reference Standard	GB 3667-1997(IEC 252-1992)	
Climatic Category	40/70/21	
Rated Voltage	250VAC~500VAC	
Capacitance Range	8~70 μ F	
Capacitance Tolerance	$\pm 5\%$ (J), $\pm 10\%$ (K)	
Voltage proof	Between Terminals	1.6UR(5s)
	Terminals to case	2000VAC
Dissipation Factor	$\leq 0.4\%$ (20°C, 1KHz)	
Insulation Resistance	$\geq 4000s$	(20°C, 1min)



Dimensions:

CAP	250/300VAC		450/500VAC	
	D(mm)	H(mm)	D(mm)	H(mm)
8	40	70	40	70
10	40	70	50	105
12	40	70	50	105
15	50	105	50	105
20	50	105	50	105
25	50	105	50	105
30	50	105	50	105

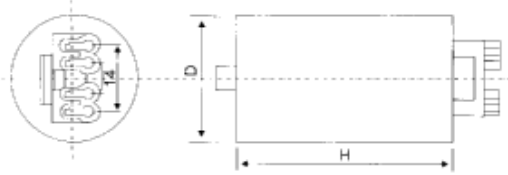
CAP	250/300VAC		450/500VAC	
	D(mm)	H(mm)	D(mm)	H(mm)
35	50	105	65	105
40	50	105	65	105
45	50	105	65	105
50	65	105	65	105
55	65	105	65	105
60	65	105	65	135
70	65	105	65	135

Note: or produced and tested by client's requirement

Metalized Polypropylene Film Capacitor For Lamp CBB80

AN038—CBB80

Outline Drawing



Are non-inductively wound with metallized polypropylene film as the dielectric/electrode with encapsulated in a plastic case sealed with epoxy resin.

Features:

- | Box type provides the identical outer appearance
- | Very low loss at high frequency, suitable for high current
- | High insulation resistance, long life due to self-healing effect
- | Especially safety reliability
- | Applied to fluorescent lamps and halogen lamps

Specifications:

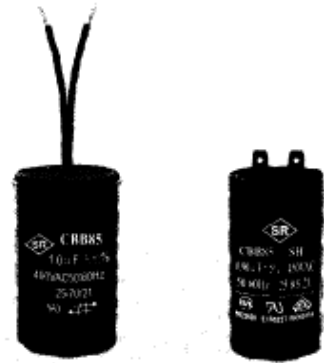
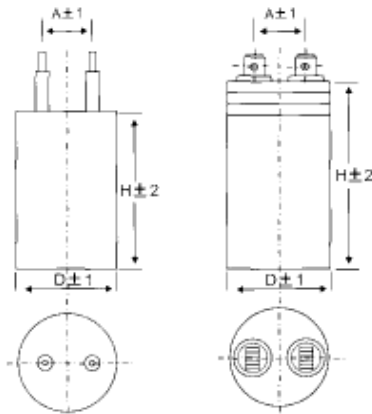
Reference Standard	IEC 1048, EN 61048	
Climatic Category	40/85/21	
Rated Voltage	125 VAC~500VAC	
Capacitance Range	8~50 μ F	
Capacitance Tolerance	$\pm 5\%$ (J), $\pm 10\%$ (K), $\pm 20\%$ (M)	
Voltage proof	Between Terminals	1.6UR(5s)
	Terminals to case	2000VAC
Dissipation Factor	$\leq 0.2\%$ (20°C, 50Hz)	
Insulation Resistance	$\geq 7500s$	(20°C, 1min)
Discharge performance	Less than 50V after breakage in 60 seconds at U_n .	
Voltage under steady state	Running under 1.1 U_n for long-period	
Current under steady state	Running under 1.5 in for long-period	

Note: or produced and tested by client's requirement

Metalized Polypropylene Film High Voltage Capacitor CBB85

AN 039 –CBB85

Outline Drawing



Are non-inductively wound with dielectrics and electrodes made of metalized polyester film, down-leads with a high tension line, which should be a tinned copper binding wire or flexible cord. Encapsulated in a plastics or aluminum enclosure with anti-flaming araldite.

Features:

- l Non-inductive construction, stable electric capacity, low inductance
- l High liability, good self-cure ability
- l Less high frequency loss so as to suitable to heavy current
- l Series-wound innards, well-proportioned voltage distribution, longer life
- l Suitable to microwave oven, lamps and lanterns with heavy current.

Specifications:

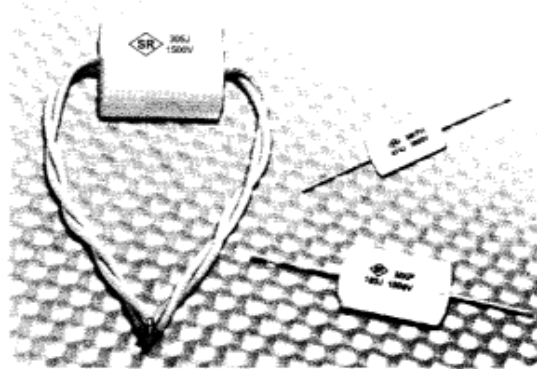
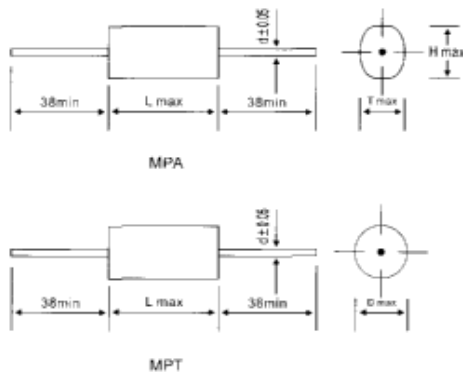
Climatic Category	40/85/21	
Rated Voltage	630VAC~3000VAC(1000VDC~9000VDC)	
Capacitance Range	0.1 μ F~1.0 μ F	
Capacitance Tolerance	\pm 5% (J), \pm 10% (K)	
Voltage proof	Between Terminals	2UR
	Terminals to case	2000VAC
Dissipation Factor	\leq 0.1% (20 $^{\circ}$ C, 10KHz)	
Insulation Resistance	$C \geq 10000M\Omega$	(20 $^{\circ}$ C, 1min 500V)

Note: or produced and tested by client's requirement

High Voltage Metallized Polypropylene Film Capacitor CBB90

AN 040 –CBB90

Outline Drawing



Are non-inductively wound with electrode of double-layer metallized polyester film and dielectric of polypropylene, wrapped with PBT tape and sealed with epoxy resin. Use tinned copper leads.

Features:

- l Good self-cure ability, low inductance
- l Low inductance, high value of dv/dt and large current
- l Excellent noise-absorbing and interference-filtering performances
- l Used for the application of high frequency eg. Ups, switch circuit air conditioner

Specifications:

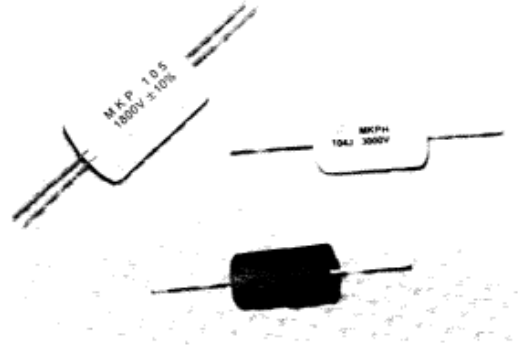
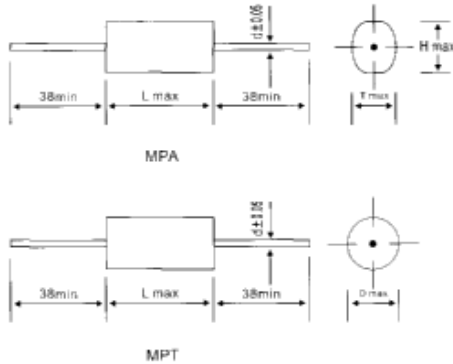
Rated Voltage	1000VDC~3000VDC
Capacitance Range	0.01~4.7 μ F
Furthest dv/df Value	190~2580 dv/dt
Furthest Current	200~1000A
Average Current	> 20A
ESR(10~)	$\leq 60 \Omega$
ESL	≤ 40 NH
Voltage proof	1.6 U_e
Dissipation Factor	$\leq 0.08\%$ (20 $^{\circ}$ C, 10KHz)
Insulation Resistance	$\geq 30000M \Omega$ (CR $\leq 0.33 \mu$ F) $\geq 10000s$ (CR > 0.33 μ F)

Note: or produced and tested by client's requirement

High Voltage & Current Capacitor CBB91

AN 041 –CC91

Outline Drawing



Are non-inductively wound with electrode of double-layer metallized polyester film and dielectric of polypropylene, wrapped with polyester tape and sealed with epoxy resin. Use tinned copper leads.

Features:

- l Non-inductive construction, low inductance
- l Well self-healing and high reliability
- l High value of dv/dt and large current
- l Used for the application of high frequency eg. Ups, switch circuit air conditioner

Specifications:

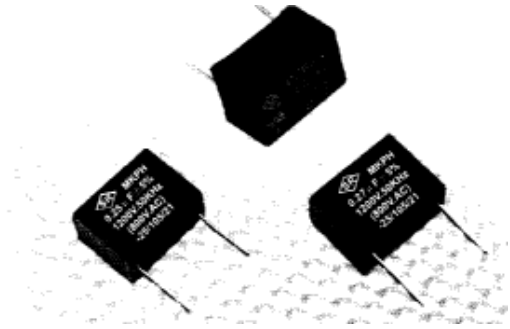
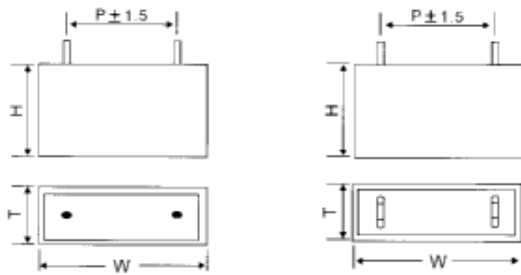
Rated Voltage	1000VDC~3000VDC
Capacitance Range	0.01~4.7 μ F
Furthest dv/df Value	190~2586 dv/dt
Furthest Current	200-1000A
Average Current	> 20A
ESR(10~)	$\leq 60 \Omega$
ESL	≤ 40 NH
Voltage proof	1.6UR
Dissipation Factor	$\leq 0.08\%$ (20°C, 10KHz)
Insulation Resistance	$\geq 30000M \Omega$ (CR $\leq 0.33\mu$ F) $\geq 10000s$ (CR > 0.33 μ F)

Note: or produced and tested by client's requirement

Polypropylene Film Capacitor

AN 042 -

Outline Drawing



Are non-inductively wound with polypropylene film as the dielectric and aluminum foil as the electrode with copper-clad steel leads and encapsulated in a plastic case sealed with epoxy resin.

Features:

- l Box type provides the identical outer appearance
- l Very low loss at high frequency, suitable for high current
- l High insulation resistance, long life due to self-healing effect
- l Abroad using for induction cooker surge circuit and UPS power and high frequency turn weld machine

Specifications:

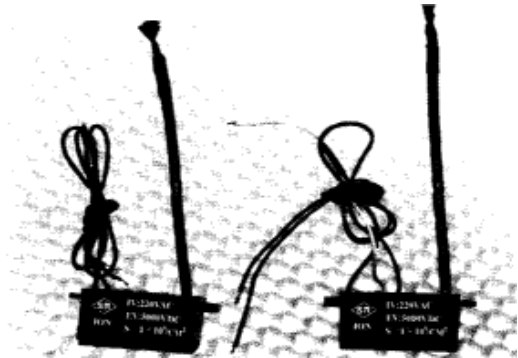
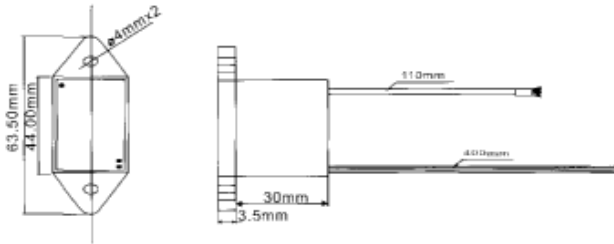
Reference Standard	GB 10188-88(IEC 60384-13)	
Climatic Category	40/105/21	
Rated Voltage	800VDC-2000VDC	
Capacitance Range	0.033-1 μ F	
Capacitance Tolerance	\pm 5% (J), \pm 10% (K)	
Voltage proof	Between Terminals	1.6UR(5s)
	Terminals to case	2000VAC
Dissipation Factor	\leq 0.1% (20°C, 10KHz)	
Insulation Resistance	\geq 30000M Ω	(20°C, 1min)

Note: or produced and tested by client's requirement

Anion Generator

AN 043 -

Outline Drawing



Work Principle

Input voltage produces high dc voltage by pulse, strong electric field produced at carbon fiberend makes electrode ionization jet, that is to say, the struck electrons fly off electrode around, which immediately have bumpiness with surrounding air molecules, so that air molecules are ionized to produce air anions.

Features:

Little volume and weight are convenient for installation. Low ozone concentration and definite aspiration Applicable to home Appliances such as anion air-conditioners, fans, electronic blowers, heater units, air refreshants, etc

Specifications:

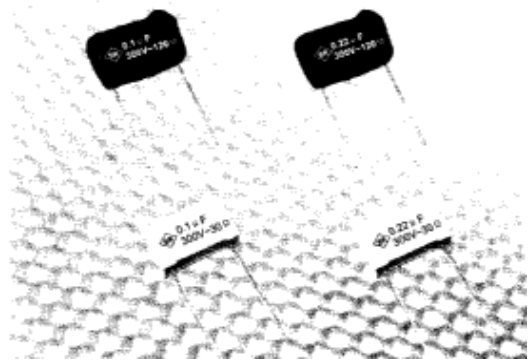
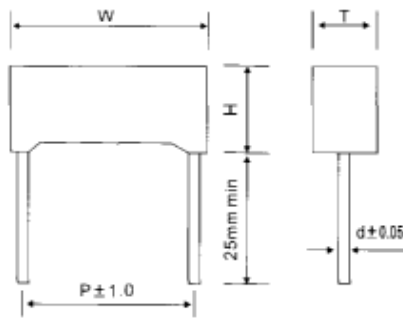
Importation Voltage	100V~250VAC
Exportation Voltage	3000V~7000V
It Is Negative To Leave The Thick Degree Of Son	$\geq 1 \times 10^6 / \text{cm}^2$
The Sum Settles The Power	<1w
Insulation Resistance	IRt-c $\geq 40M \Omega$ (50W)
The Anti-Give Or Get An Electric Shocks The Strength	Vt-c2000VAC
Thick Degree Of Ozone	<0.05 Ppm

Note: or produced and tested by client's requirement

R.C Modules [Electronic Arc Deflector]

AN 044 -

Outline Drawing



Structure Drawing



Features:

Constituting a resonance circuit to filter interference and absorb noise

Definite safety protection and good anti-pulse ability

Integrative design convenient for installation and liability improvement

Applicable to alternating current-direct current occasions such as noise reduction of power over line, digital lathe, hi-fi equipment, etc

Specifications:

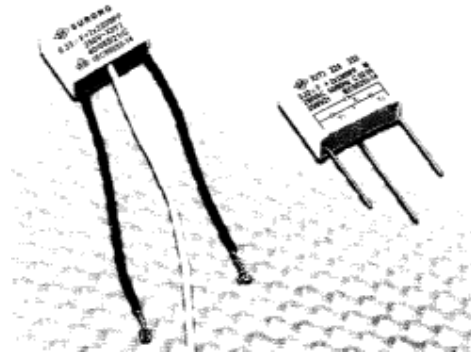
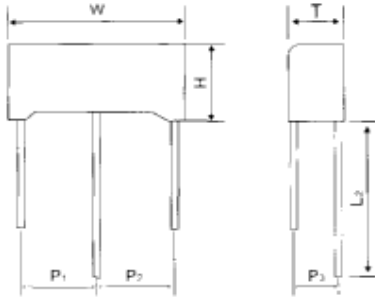
Reference Standard	IEC 60384-14	
Climatic Category	40/100/21	
Rated Voltage	250VAC	
Capacitance Tolerance	± 10% (K), ± 20% (M)	
Voltage proof	1200VDC(5s)	
Insulation Resistance	$\geq 7500M\Omega$ $CR \leq 0.33\mu F$ $\geq 2500s$ $C > 0.33\mu F$	(20°C, 1min)

Note: or produced and tested by client's requirement

X2Y2 New Type Capacitor Inhibiting Electromagnetic Interference From Power Supply

AN 045 –X2Y2

Outline Drawing



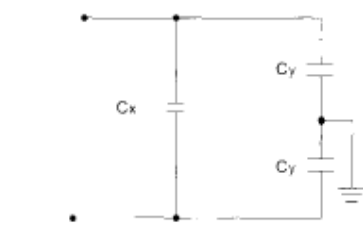
Features:

- | Two Y capacitors are connected in series, and then parallel connected with aX capacitor
- | Excellent anti-interference performance
- | Reasonable integrative design convenient for installation and liability improvement
- | Applicable to advanced electric appliances such as electric tool, home appliances, switching power supply, etc

Structure Drawing

Specifications:

Reference Standard	JEC 60384-14/GB[F14472-98
Climatic Category	40/100/21
Rated Voltage	250/280VAC
Capacitance Range	X2(0.1 μF~1.0 μF) Yz(1nF~10nF)
Capacitance Tolerance	± 10% (K), ± 20% (M)
Voltage proof	X2(1800VDC) Y2(2000VAC~2700VDC)
Dissipation Factor	≤0.1% (20°C, 1KHZ)
Insulation Resistance	≥30000MΩ (20°C, 1min)



Dimensions:

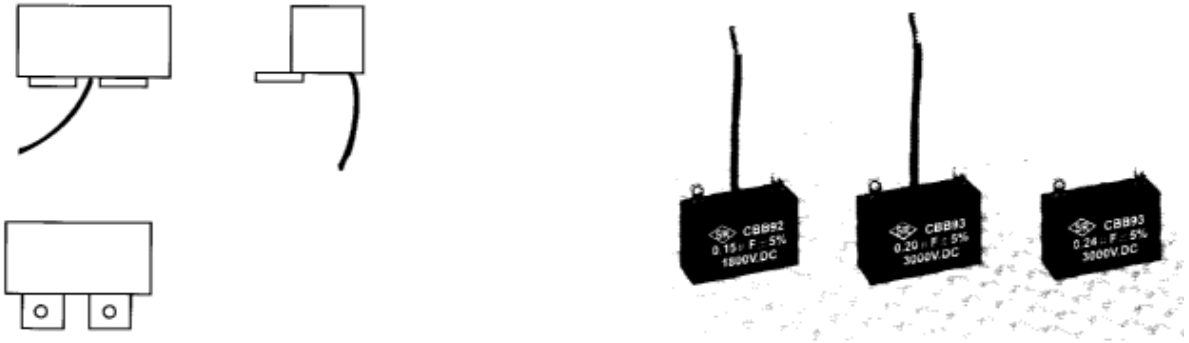
3C/R(μF)					3C/R(MF+nF)					
Cx	W(mm)	T(mm)	H(mm)	P(mm)	Cx	Cy	W(mm)	T(mm)	H(mm)	P(mm)
0.1	18	18	10	15	0.1	2x(1nF~10nF)	18	18	10	15
0.15	26.5	19	10	22.5	0.15		26.5	20	11	22.5
0.22	26.5	20	11	22.5	0.22		26.5	22	13	22.5
0.33	32	23	13	27.5	0.33		32	26	15	27.5
0.47	32	25	14	27.5	0.47		32	26	15	27.5
0.68	32	27.5	17.5	27.5	0.68		32	30	20	27.5
1.0	32	30	20	27.5	1.0		32	30	20	27.5

Note: or produced and tested by client's requirement

IGBT Module Absorption Capacitor

AN 046 -

Outline Drawing

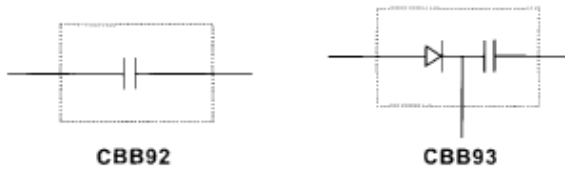


This product is used for protecting IGBT from over voltage and over current.

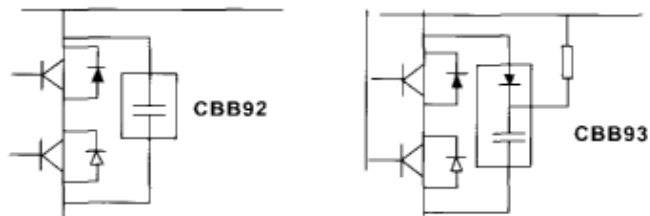
Features:

- I Suitable for large power current
- I Well self-healing, high reliability
- I Integrative design convenient connect to IGBT directly, Low electric inductance
- I CBB92 suitable for low power IGBT External circuit CBB93 suitable for high power IGBT

Inward Wiring Diagram



Exterior Wiring Diagram



Note: or produced and tested by client's requirement