

RADIAL LEADS MONOLITHIC CAPACITOR

AN016A—Leaded MLCC



- *Miniature size, large capacitance
- *Epoxy resin coating creates excellent performance
- *Standard size, various lead configuration

Specification:

	Size code	shape	Dimensions(mm)				Voltage	Capacitance (pf)		
			F (± 0.5)	L max	W max	T max		NPO	X7R	Y5V
a	0805	b	2.54	4,2	3.8	3,0	25V	OR5—103	101—105	103—475
		C2	5.08				50V	OR5—103	101—474	103—105
		C3	5.08				100V	OR5—103	101—104	103—104
b	1206	a	2.54	5.0	4.5	3.5	25V	OR5—104	101—225	103—106
		b	3.5				50V	OR5—473	101—225	103—106
		C2	5.08				100V	OR5—473	101—105	103—155
b	1210	a	2.54	5.0	4.5	3.5	25V	OR5—104	101—106	103—106
		b	3.5				50V	CR5—473	101—475	103—106
		C2	5.08				100V	OR5—473	101—105	103—155
b	1812	b	5.08	7.0	6.0	4.0	25V	OR5—104	101—106	103—106
						50V	OR5—104	101—106	103—106	
						100V	OR5—473	101—105	103—155	
b	2225	b	5.5	10	9	4.5	25V	OR5—104	101—106	103—106
						50V	OR5—104	101—106	103—106	
						100V	OR5—473	101—105	103—155	
b	3035	b	7.5	12	10	4.5	25V	OR5—104	101—106	103—106
						50V	OR5—104	101—106	103—106	
						100V	OR5—473	101—105	103—155	

Notice 1: Normal length of lead is 10.0 mm(±1), & it can be adjusted between 3.0—25mm by customer request.

Notice 2: The diameter of lead is $\Phi 0.5 \pm 0.05$ mm.

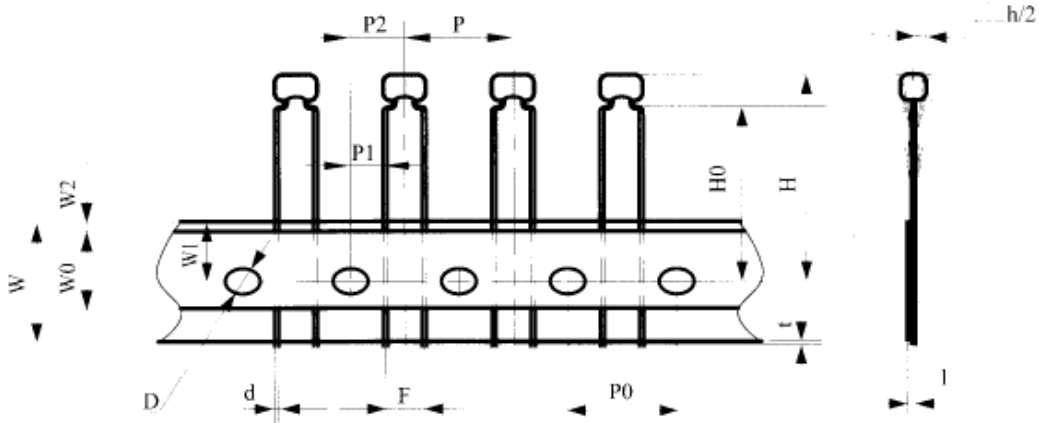
PACKAGING STYLE

BULK:

Leads in normal length: 1000 pcs/Pack

Long leads: 500pcs/Pack

TAPE & REEL

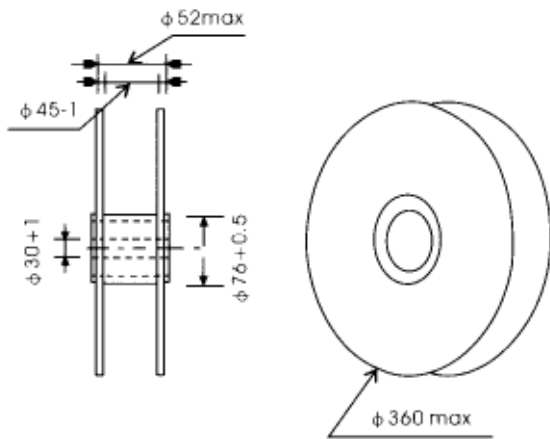
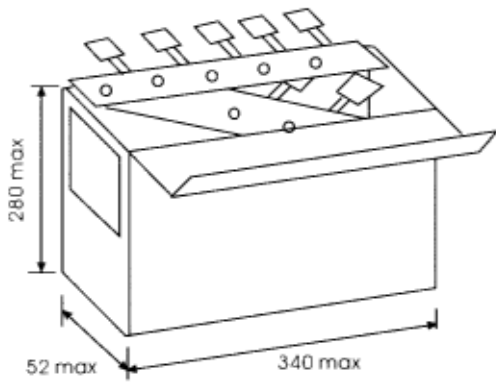


Note: P1 = 3.85mm for F=5.0mm P1 = 5.1mm for F=2.5mm

Code	P	P0	P1	P2	d	Δh	W	W0	W1	W2	H	H0	I	D	t
Dim	12.7	12.7	3.85 5.1	6.35	0.5	0	18.5	12	9	1.5	32.25	15-20	1.0	4.0	0.7
Tol	±0.2	±0.2	0.7	±1.3	±0.1	±2	±1	±1	±0.5	±1.5	Max	±0.5	Max	±0.2	Max

Amno Packaging

REEL PACKAGING



HOW TO ORDER

CT4 0805 Y 104 M 500 P
 A B C D E F G

A

PRODUCT TYPE	
CODE	TYPE
CC4	CLASS I DIELECTRIC RADIAL LEADS
C14	CLASS II DIELECTRIC RADIAL LEADS

B

Unit: Inches	
CMOS CHIP SIZE(L* W)	
CODE	CHIP SIZE
0805	0.06X0.03/ 0.08 X 0.05
1206	0.12 X 0.06
1210	0.12 X 0.10
1812	0.18 X 0.12
2225	0.22 X 0.25
3035	0.30X0.35

C

TEMPERATURE CHARACTERISTICS			
N	COG (NPO)	0±30ppm/°C	(-55°C-125°C)
B	X7R	±15%	(-55°C+125°C)
Y(F)	Y5V	+30% -80%	(-25°C+85°C)
E	Z5U	+22% -56%	(+10°C+85°C)

D

CAPACITANCE
FIRST TWO DIGITS ARE SIGNIFICANT THIRD DIGIT IS NUMBER OF ZEROS. FOR EXAMPLE: 104=1 00000pF 5R6=5.6pF

F

RATED VOLTAGE
THE CODE MEANING IS SAME AS CAPACITANCE. FOR EXAMPLE: 250=25V 500=50V 101=100V

E

TOLERANCE	
B	±0.10pF
C	±0.25pF
D	±0,5pF
F	±1.0%
0	±2.0%
J	±5.0%
K	±10%
M	±20%
N	±30%
S	+50%—-20%
Z	+80%—-20°A
P	+100%—-0%
B.C.D~C< 1 0PF B.C.D FOR C< 1 0PE NPO:B.C.D.F.G.J.K.M X70:K.M.S.Z Y5V/Z5U:M,S.Z.P	

G

Packaging Style		
Tape& Reel	P	Ammo
	T	Reel
Bulk	F1	2.54mm
	F3	5.08mm
	F5	3.50mm
F1,F2,F5		